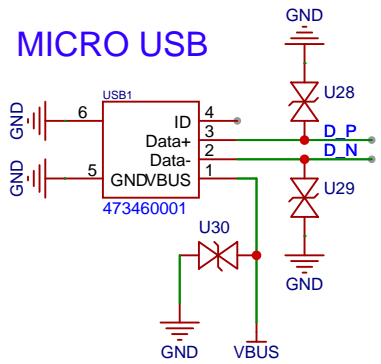


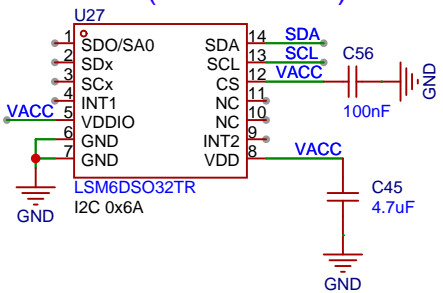
Nano altimeter

Hardware revision 4.1

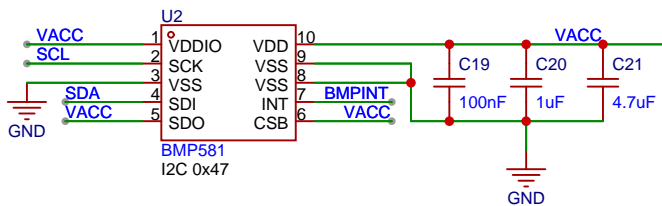
MICRO USB



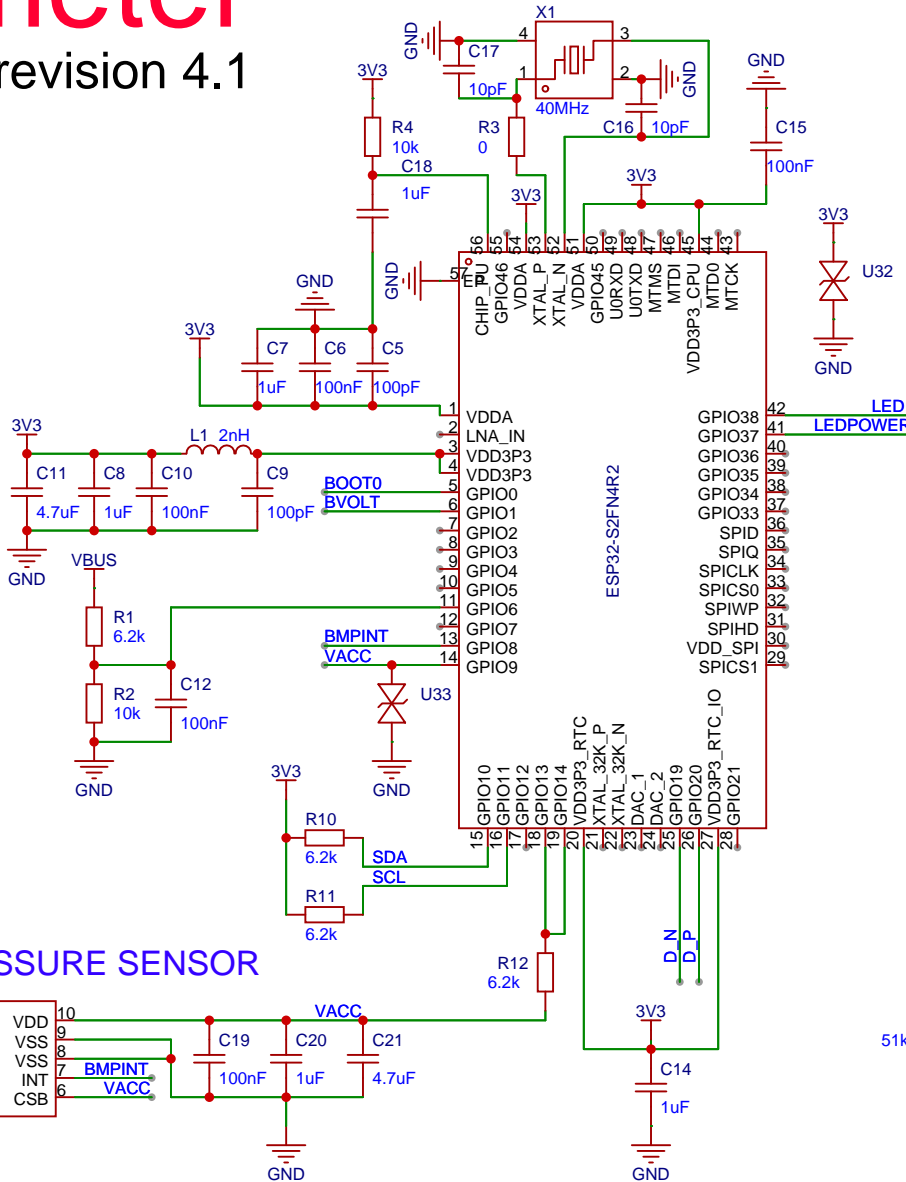
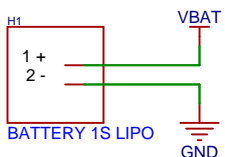
IMU (ACC/GYRO)



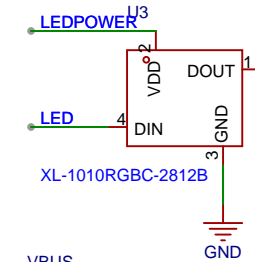
PRESSURE SENSOR



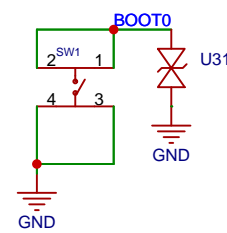
BATTERY CONNECTOR



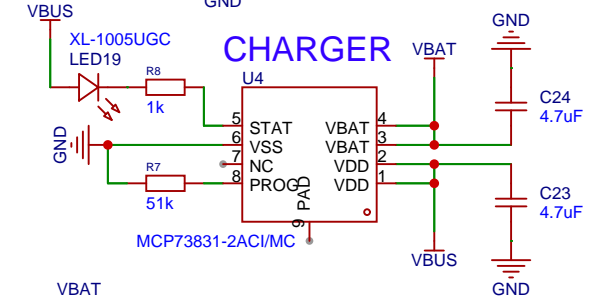
STATUS LED



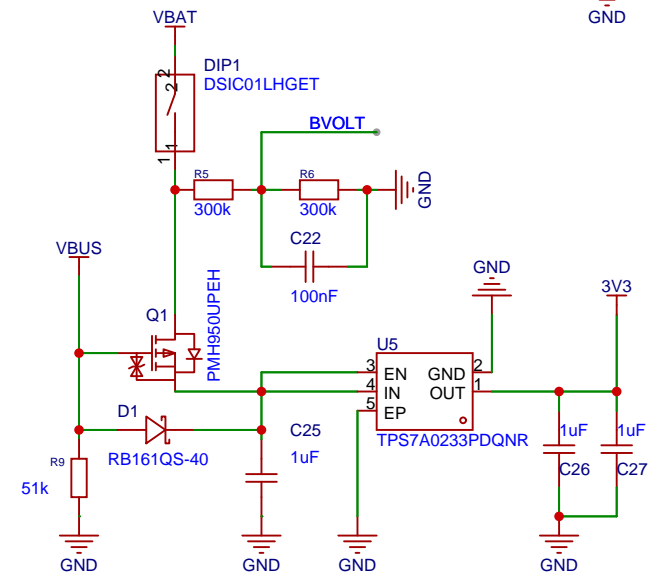
BOOT BUTTON



CHARGER



POWER REGULATION & USB/BAT SELECTION



NOTE ESP32 RF is disabled.
 No antenna is connected.
 Firmware is encrypted and is disabled fully in firmware.